

Technical Specifications

Power Supply	22...25VDC SELV
Power Consumption	Standby <150mW Red: 8W Green: 6.4W Blue: 4W Warm White: 19.7W
Rated Luminous Flux Warm White	typ. 1350lm
Color Temperature Warm White	typ. 3000k
Dimming	1...100%
Beam Angle	120°
CRI	min. 90 (R9 min. 50)
PWM Signal	200Hz
Ratings	Safety Rating IP20 California Title 24 JA8-2016 compliant
Brightness Sensor	0.045...188.000Lux
Field of Detection	360°
Viewing Angle	110°

Detection Range	Up to 8m / 26ft at a height of 3m / 10ft
Ambient Temperature	-40...55°C / -40...131°F
Humidity	95% r. H. (non condensing)
Dimensions	D: 298mm / 11 3/4" H: 50mm / 2"
Maintenance & Cleaning	This device is free of maintenance and may only be cleaned with a dry cloth.

LOXONE

No Gimmicks.
Real Smart Homes.

LOXONE

Need Help?

loxone.com/support



LED Ceiling Light RGBW Tree

Loxone Electronics GmbH
Smart Home 1
4154 Kollerschlag
Austria

loxone.com



Part No.: 100377 (White)
Part No.: 100378 (Anthracite)

About the product

The Loxone LED Ceiling Light RGBW TREE is a Downlight with RGB and WW Light outputs. The Luminaire comes with a Light and Motion Sensor. The Luminaire is Energy Saving because of newest LED technology.

Features

- 1350 Lumens warm white
- RGBW Light outputs
- Motion Sensor
- Brightness Sensor
- TREE Technology

Installation

The installation of this device has to be carried out by a qualified person. The device has to be fitted in accordance with building regulations for electrical and fire safety. If the device is not installed according to manufacturer's guidelines the protection of the device may be affected.

Connect Power to the device, once powered learn in the device in the easy usual way using Loxone Config.

The Luminair holds with three strong magnets on the iron Ceiling plate. The magnets have to be placed in the flat area of the Ceiling plate. Take care to not clamp a wire between the magnets.

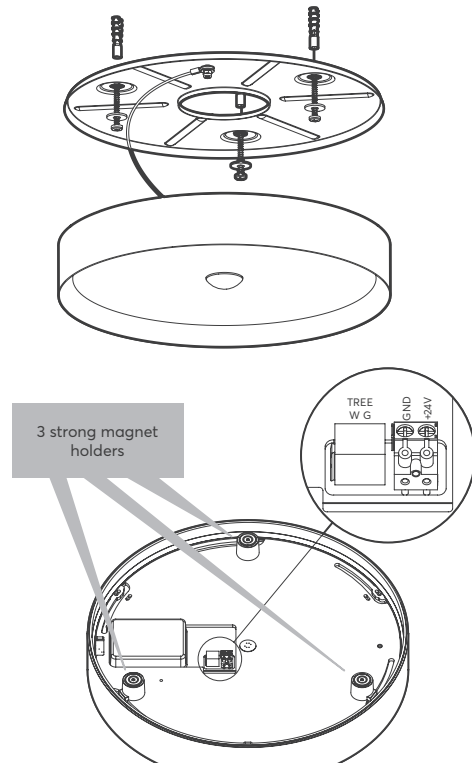
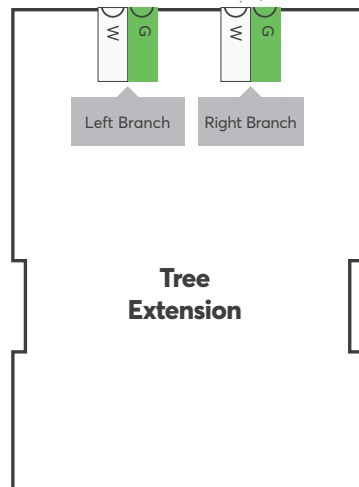
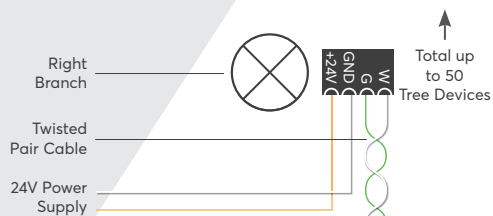
Power Connection

Wire Diameter	0.75...2.5mm ² / AWG18... AWG13
Exposed Wire Length	5mm / 0.2"
Toque of Terminal Blocks	min. 0.35Nm; max 0.4Nm

Tree Connection

Wire Diameter	0.25...0.8mm ² / AWG23... AWG18
Exposed Wire Length	5mm / 0.2"
Push-In-Technology	To make connection, insert wire; to remove the wire, twist and pull at the same time.

This folder is a part of the product!
DRY LOCATIONS ONLY • POUR EMPLACEMENTS SECS SEULEMENT •
CLASS 2 INPUT ONLY • ENTRÉE DE CLASSE 2 UNIQUEMENT



For additional information, declaration of conformity, visit www.loxone.com/help/ceilinglight-tree