

About the product

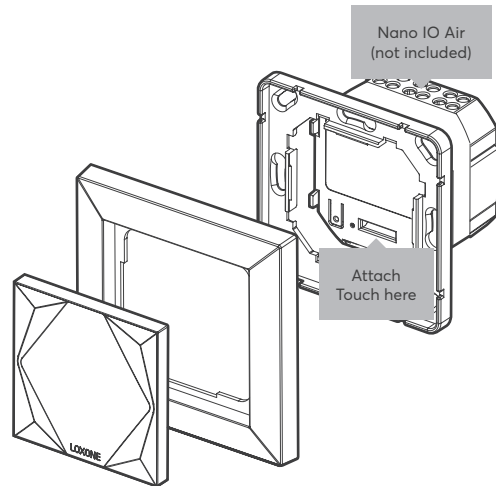
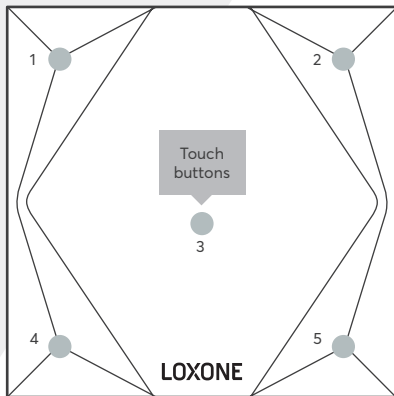
The Loxone Touch has five touch zones, which can be configured according to your needs. The large central touch zone is ideal for controlling lighting, whilst the corner zones are handy for controlling music and blinds, for example.

Features

- 5 touch buttons
- Optional click feedback

Installation

Install the mounting frame on the desired installation place. Attach the Touch on the Nano IO Air or Nano Dimmer Air and configure it in Loxone Config.



This folder is a part of the product!



For additional information, declaration of conformity, visit www.loxone.com/help/touch-nano